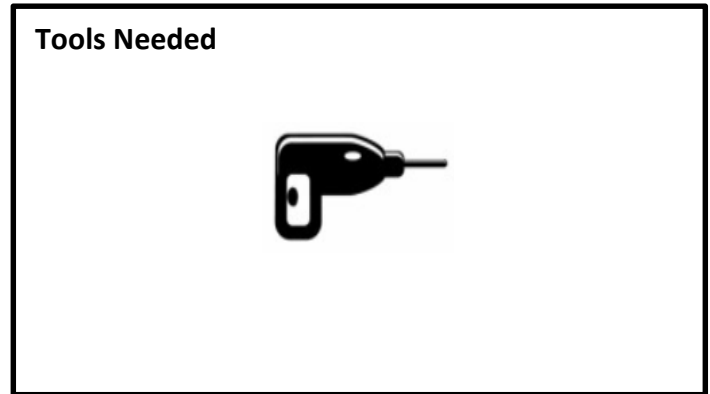
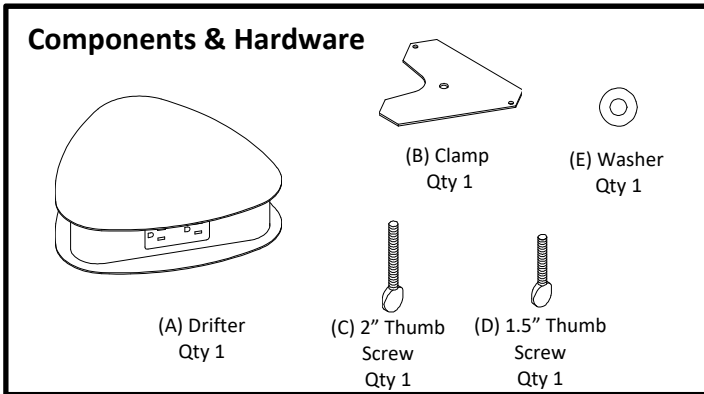


# DRIFTER INSTALLATION



## For use with:

Table thicknesses between .75" – 1.25" use 1.50" long thumbscrew (D)\*  
Table thicknesses between 1.25" – 1.62" use 2.00" long thumbscrew (C)  
\*Remove flat washer for tables between 1.12" – 1.25"

- 1-** Place Drifter (A) at desired location on work surface for intended use.  
Note: If Drifter is not intended to be secured to work surface proceed to Step 5.
- 2-** If mounting to work surface with grommet hole; proceed to Step 4.
- 3-** If mounting with drilled hole; drill 1/4" hole thru work surface at location Drifter is to be mounted.  
Note: Mounting hole is centered on the underside of the Drifter.
- 4-** Insert appropriate thumbscrew, (C) or (D), thru washer (E), Clamp (B) and then thru work surface drilled or grommet hole before inserting into threaded hole on underside of Drifter. Tighten until Drifter is secure. Note: Do not overtighten.
- 5-** Plug Drifter into power outlet. If Drifter is mounted thru grommet hole feed cord down thru hole before securing in place.

