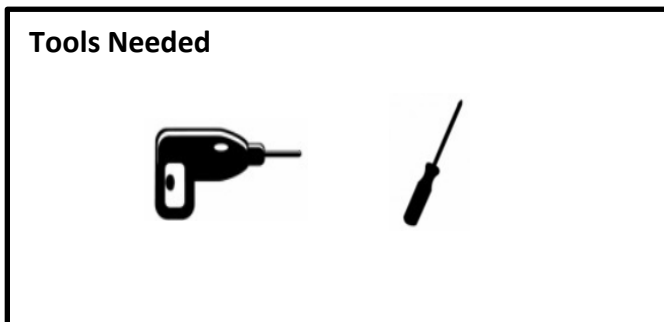
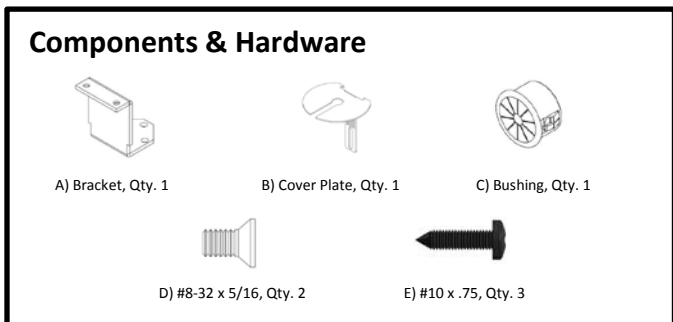
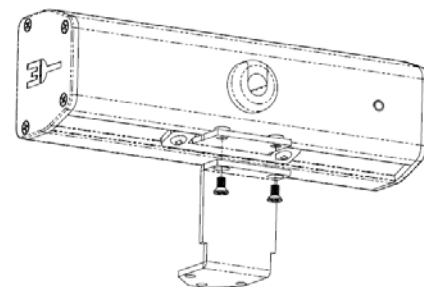


# SECLUSION GROMMET MOUNT INSTALLATION

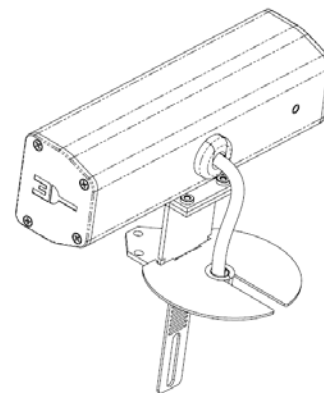


**FOR USE WITH:** This product fits 2" (50.8mm) – 3.15" (80mm) openings and table thicknesses of 1" (25.4mm) – 1.5" (38.3mm). \*Take care not to pierce finished surfaces with mounting hardware.

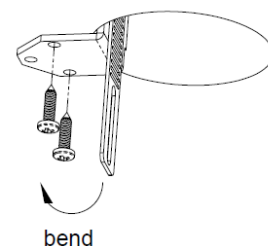
**1-** Determine the Seclusion's mounting location and prepare the surface. Insert 2 screws (D) through the bracket (A) into the Seclusion.



**2-** Slide the cover plate (B) onto the bracket (A) and attach the cord to the split bushing (C). Feed the cord through the cover plate slot and seat the bushing.



**3-** Insert the cord then bracket (A) through table opening. Position the Seclusion to the front of the table opening and secure bracket to underside of table using 2 screws (E)\*.



**4-** Ensure the cover plate (B) is fully seated on the table, hold in place while bending cover tab flat against the bracket as shown. Insert the remaining screw (E)\* to secure.

