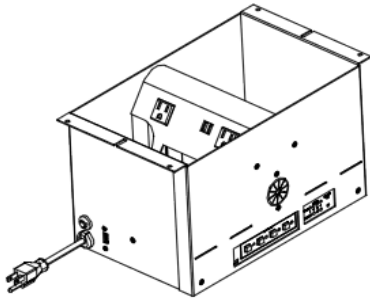


MARINA HDMI INSTALLATION

Components & Hardware



Tools Needed



Notes: * Ensure all screws will not pierce finished work surface.
** It is important that the Marina is centered in cutout and there is a consistent air gap between the Marina and opening.

Surface Preparation:

- 1- Provide a cutout in surface for the Marina HDMI at desired location as shown in Fig.1. (Note Fig.1 represents underside of work surface).
- 2- Mark or pilot drill the location for center Mounting screws as shown in Fig.1.

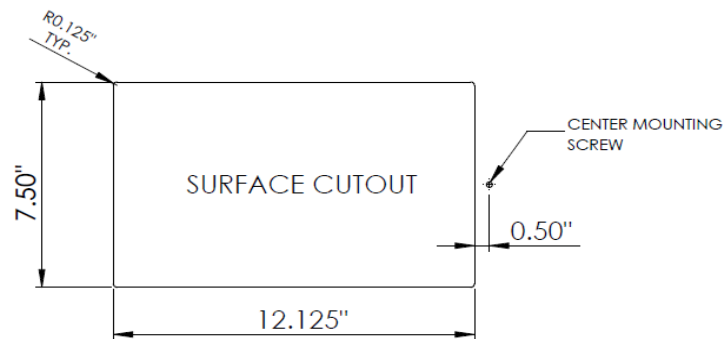


Fig.1

Marina HDMI Technology Bay Installation:

- 1- Install 1 - #10 pan head screw (not provided) into center mounting screw position on underside of work surface, see Fig.1. Do not fully tighten screw at this point*
- 2- Insert middle flange slot of one end of the Marina onto mounting screw to support the Marina while installing 2nd #10 pan head screw (not provided) align with the other center mounting screw position. Do not fully tighten screws at this point.
- 3- Center the Marina in the cutout and secure to underside of surface using remaining holes in side flanges.**
- 4- Tighten center screw from step 2 and 3 above.
- 5- Connect HDMI cable provide between Marin HDMI output port, see Fig.2 and screen HDMI input port.

Connections

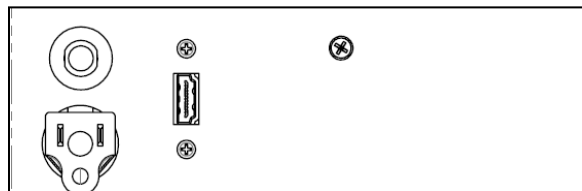


Fig.2

- 6- Connect power cord to 120 VAC outlet.

Operation:

To verify that the switcher is operating as designed, connect two or more input devices (laptops or tablets) to the user HDMI “share” cords and switch the display between the units. If no image is display on your monitor, confirm the monitor’s input setting is correct. Confirm the monitor to Marina output connections are secure. Visual Note: Check the display window on the side of the unit. In the center INPUTS window there should be one LED lit. In the right window for signals, there should be the LED for the output lit and one input signal LED lit for each device connected to the share cables, Fig.2.



Fig.2

Marina HDMI technical specification:

- Power
- 4, 120 VAC spill resistant receptacles
- 4, USB charging ports that work with USB compatible devices. Each pair capable of (2.1A, 11 Watts, 5V/DC)
- Intergral circuit breaker protection. (located on side of unit)
- Video
 - Extron:
 - 4x1 HDMI Switcher
 - HDMI Show Me cables
 - Maximum data rate – 6.75 Gbps (2.25 Gbps per color)
 - Maximum pixel clock – 165 MHz
 - Formats – RGB and YCbCr digital video
 - Standards – HDMI
 - Output – 1
- Regulatory compliance
 - Safety – cETLus
 - EMI/EMC – CE, C-tick, FCC Class A, ICES, VCCI
 - Environmental – complies with appropriate requirements of RoHs and WEEE
- Shipping
 - Weight – 20 lbs.
 - Carton – 16” x 12” x 12”

Warranty

This product is warranted for a period of one (1) year from the date of purchase. This warranty is null and void in the case of abuse, uses outside its normal intended use, or field modifications made in any manner.