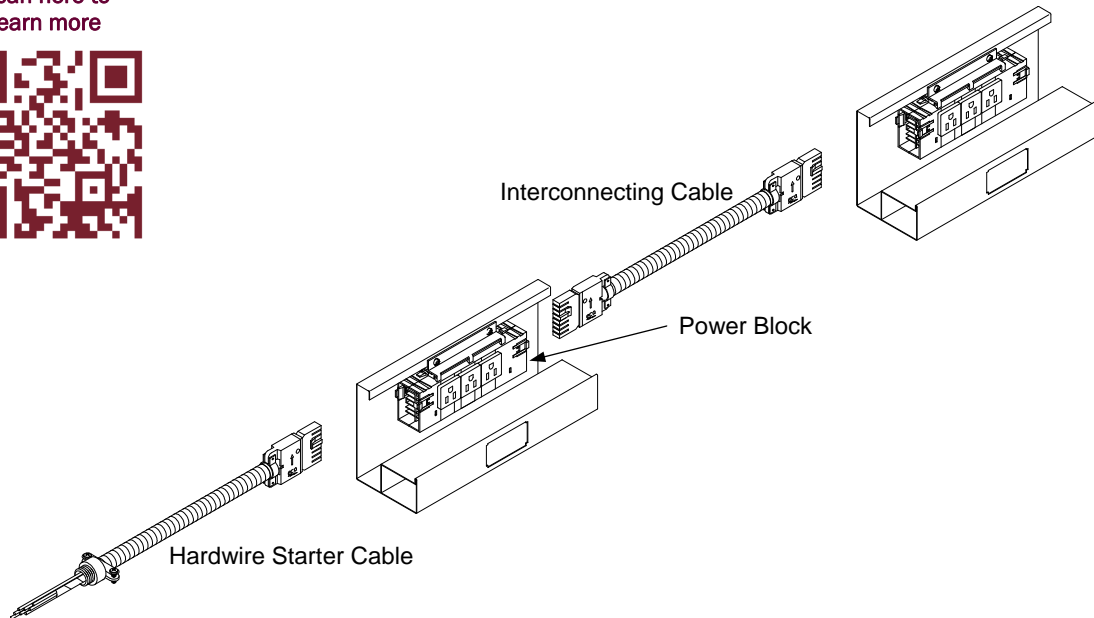


J-Channel Specification Sheet

QR Code
Scan here to
learn more



Length	Height	Depth	Maximum # of Receptacles 7 Wire System	Maximum # of Receptacles 8 Wire System
15"	5.5"	4"	3	4
19"	5.5"	4"	6	8
29"	5.5"	4"	6	8
32"	5.5"	4"	6	8
41"	5.5"	4"	9	12
47"	5.5"	4"	9	12

Product Specifications

- Constructed of powder coated steel
- Standard finish is black powder coat, other finishes available upon request
- Available with the Electri-Pak 7 wire, 3 circuit; 8 wire, 3 circuit or 8 wire, 4 circuit configurations
- Triplex and Quad Power Blocks available for 3 and 4, 6 and 8 or 9 and 12 receptacle configurations
- Receptacles are configurable based on circuit requirements
- Available in various lengths

Innovative Power + Data Solutions

ECA • 10 Mountain View Drive • Shelton, CT 06484 • Phone: 1-800-521-3175 • Fax: 203-924-6687

www.electri-cable.com

J-Channel Standard Product Configurations		
Ordering Number	Length	Product Configuration
		7 Wire, 3 Circuit
Single Circuit		
73J1513111A	15"	1 Triplex Power Module with 3 Circuit 1 receptacles, 1 cutout for telecom plate, black finish
73J1913111A	19"	1 Triplex Power Module with 3 Circuit 1 receptacles, 1 cutout for telecom plate, black finish
73J2913111A	29"	1 Triplex Power Module with 3 Circuit 1 receptacles, 1 cutout for telecom plate, black finish
73J2923111A	29"	2 Triplex Power Modules with 6 Circuit 1 receptacles, 1 cutout for telecom plate, black finish
73J3213111A	32"	1 Triplex Power Module with 3 Circuit 1 receptacles, 1 cutout for telecom plate, black finish
73J3223111A	32"	2 Triplex Power Modules with 6 Circuit 1 receptacles, 1 cutout for telecom plate, black finish
73J4113111A	41"	1 Triplex Power Modules with 3 Circuit 1 receptacles, 1 cutout for telecom plate, black finish
73J4123111A	41"	2 Triplex Power Modules with 6 Circuit 1 receptacles, 1 cutout for telecom plate, black finish
73J4723111A	47"	2 Triplex Power Modules with 6 Circuit 1 receptacles, 1 cutout for telecom plate, black finish
Multi-Circuit		
73J1513123A	15"	1 Triplex Power Module with Circuit 1, 2 and IG receptacles, 1 cutout for telecom plate, black finish
73J1913123A	19"	1 Triplex Power Module with Circuit 1, 2 and IG receptacles, 1 cutout for telecom plate, black finish
73J2913123A	29"	1 Triplex Power Module with Circuit 1, 2 and IG receptacles, 1 cutout for telecom plate, black finish
73J2923123A	29"	2 Triplex Power Modules with Circuit 1, 2 and IG receptacles, 1 cutout for telecom plate, black finish
73J3213123A	32"	1 Triplex Power Module with Circuit 1, 2 and IG receptacles, 1 cutout for telecom plate, black finish

Innovative Power + Data Solutions

ECA • 10 Mountain View Drive • Shelton, CT 06484 • Phone: 1-800-521-3175 • Fax: 203-924-6687

www.electri-cable.com

73J3223123A	32"	2 Triplex Power Modules with Circuit 1, 2 and IG receptacles, 1 cutout for telecom plate, black finish
73J4113123A	41"	1 Triplex Power Module with Circuit 1, 2 and IG receptacles, 1 cutout for telecom plate, black finish
73J4123123A	41"	2 Triplex Power Modules with Circuit 1, 2 and IG receptacles, 1 cutout for telecom plate, black finish
73J4723123A	47"	2 Triplex Power Modules with Circuit 1, 2 and IG receptacles, 1 cutout for telecom plate, black finish
		8 Wire, 3 Circuit
Single Circuit		
83J1513111A	15"	1 Triplex Power Module with 3 Circuit 1 receptacles, 1 cutout for telecom plate, black finish
83J1913111A	19"	1 Triplex Power Module with 3 Circuit 1 receptacles, 1 cutout for telecom plate, black finish
83J19141111A	19"	1 Double Duplex Power Module with 4 Circuit 1 receptacles, 1 cutout for telecom plate, black finish
83J29141111A	29"	1 Double Duplex Power Module with 4 Circuit 1 receptacles, 1 cutout for telecom plate, black finish
83J2913111A	29"	1 Triplex Power Module with 3 Circuit 1 receptacles, 1 cutout for telecom plate, black finish
83J2923111A	29"	2 Triplex Power Modules with 6 Circuit 1 receptacles, 1 cutout for telecom plate, black finish
83J3213111A	32"	1 Triplex Power Module with 3 Circuit 1 receptacles, 1 cutout for telecom plate, black finish
83J3223111A	32"	2 Triplex Power Modules with 6 Circuit 1 receptacles, 1 cutout for telecom plate, black finish
83J4113111A	41"	1 Triplex Power Module with 3 Circuit 1 receptacles, 1 cutout for telecom plate, black finish
83J4123111A	41"	2 Triplex Power Modules with 6 Circuit 1 receptacles, 1 cutout for telecom plate, black finish
83J4713111A	47"	1 Triplex Power Module with 3 Circuit 1 receptacles, 1 cutout for telecom plate, black finish
83J4723111A	47"	2 Triplex Power Modules with 6 Circuit 1 receptacles, 1 cutout for telecom plate, black finish

Innovative Power + Data Solutions

ECA • 10 Mountain View Drive • Shelton, CT 06484 • Phone: 1-800-521-3175 • Fax: 203-924-6687

www.electri-cable.com

83J47141111A	47"	1 Double Duplex Power Module with 4 Circuit 1 receptacles, 1 cutout for telecom plate, black finish
Multi-Circuit		
83J1513123A	15"	1 Triplex Power Module with Circuit 1, 2 and IG receptacles, 1 cutout for telecom plate, black finish
83J1913123A	19"	1 Triplex Power Module with Circuit 1, 2 and IG receptacles, 1 cutout for telecom plate, black finish
83J29141123A	29"	1 Double Duplex Power Module, 2 Circuit 1, 1 Circuit 2 and IG receptacles, 1 cutout for telecom plate, black finish
83J2913123A	29"	1 Triplex Power Module with Circuit 1, 2 and IG receptacles, 1 cutout for telecom plate, black finish
83J2923123A	29"	2 Triplex Power Modules with Circuit 1, 2 and IG receptacles, 1 cutout for telecom plate, black finish
83J3213123A	32"	1 Triplex Power Module with Circuit 1, 2 and IG receptacles, 1 cutout for telecom plate, black finish
83J3223123A	32"	2 Triplex Power Modules with Circuit 1, 2 and IG receptacles, 1 cutout for telecom plate, black finish
83J4113123A	41"	1 Triplex Power Module with Circuit 1, 2 and IG receptacles, 1 cutout for telecom plate, black finish
83J4123123A	41"	2 Triplex Power Modules with Circuit 1, 2 and IG receptacles, 1 cutout for telecom plate, black finish
83J4713123A	47"	1 Triplex Power Module with Circuit 1, 2 and IG receptacles, 1 cutout for telecom plate, black finish
83J4723123A	47"	2 Triplex Power Modules with Circuit 1, 2 and IG receptacles, 1 cutout for telecom plate, black finish
83J47141123A	47"	1 Double Duplex Power Module, 2 Circuit 1, 1 Circuit 2 and IG receptacles, 1 cutout for telecom plate, black finish
8 Wire, 4 Circuit		
Single Circuit		
84J1513111A	15"	1 Triplex Power Module with 3 Circuit 1 receptacles, 1 cutout for telecom plate, black finish
84J1913111A	19"	1 Triplex Power Module with 3 Circuit 1 receptacles, 1 cutout for telecom plate, black finish

Innovative Power + Data Solutions

ECA • 10 Mountain View Drive • Shelton, CT 06484 • Phone: 1-800-521-3175 • Fax: 203-924-6687

www.electri-cable.com

84J2913111A	29"	1 Triplex Power Module with 3 Circuit 1 receptacles, 1 cutout for telecom plate, black finish
84J2923111A	29"	2 Triplex Power Modules with 6 Circuit 1 receptacles, 1 cutout for telecom plate, black finish
84J3213111A	32"	1 Triplex Power Module with 3 Circuit 1 receptacles, 1 cutout for telecom plate, black finish
84J32141111A	32"	1 Double Duplex Power Module, 4 Circuit 1 receptacles, 1 cutout for telecom plate, black finish
84J32241111A	32"	2 Double Duplex Power Modules, 8 Circuit 1 receptacles, 1 cutout for telecom plate, black finish
84J3223111A	32"	2 Triplex Power Modules with 6 Circuit 1 receptacles, 1 cutout for telecom plate, black finish
84J4113111A	41"	1 Triplex Power Module with 3 Circuit 1 receptacles, 1 cutout for telecom plate, black finish
84J4123111A	41"	2 Triplex Power Modules with 6 Circuit 1 receptacles, 1 cutout for telecom plate, black finish
84J4713111A	47"	1 Triplex Power Module with 3 Circuit 1 receptacles, 1 cutout for telecom plate, black finish
84J4723111A	47"	2 Triplex Power Modules with 6 Circuit 1 receptacles, 1 cutout for telecom plate, black finish
84J47141111A	47"	1 Double Duplex Power Module, 4 Circuit 1 receptacles, 1 cutout for telecom plate, black finish
84J47241111A	47"	2 Double Duplex Power Modules, 8 Circuit 1 receptacles, 1 cutout for telecom plate, black finish
Multi-Circuit		
84J1513123A	15"	1 Triplex Power Module with Circuit 1, 2 and IG receptacles, 1 cutout for telecom plate, black finish
84J1913123A	19"	1 Triplex Power Module with Circuit 1, 2 and IG receptacles, 1 cutout for telecom plate, black finish
84J2913123A	29"	1 Triplex Power Module with Circuit 1, 2 and IG receptacles, 1 cutout for telecom plate, black finish
84J2923123A	29"	2 Triplex Power Modules with Circuit 1, 2 and IG receptacles, 1 cutout for telecom plate, black finish

Innovative Power + Data Solutions

84J3213123A	32"	1 Triplex Power Module with Circuit 1, 2 and IG receptacles, 1 cutout for telecom plate, black finish
84J32141234A	32"	1 Double Duplex Power Module, 1 Circuit 1, 2, IG and 4 receptacles, 1 cutout for telecom plate, black finish
84J32241234A	32"	2 Double Duplex Power Modules with 1 Circuit 1, 2, IG and 4 receptacles, 1 cutout for telecom plate, black finish
84J3223123A	32"	2 Triplex Power Modules with Circuit 1, 2 and IG receptacles, 1 cutout for telecom plate, black finish
84J4113123A	41"	1 Triplex Power Module with Circuit 1, 2 and IG receptacles, 1 cutout for telecom plate, black finish
84J4123123A	41"	2 Triplex Power Modules with Circuit 1, 2 and IG receptacles, 1 cutout for telecom plate, black finish
84J4713123A	47"	1 Triplex Power Module with Circuit 1, 2 and IG receptacles, 1 cutout for telecom plate, black finish
84J4723123A	47"	2 Triplex Power Modules with Circuit 1, 2 and IG receptacles, 1 cutout for telecom plate, black finish
84J47141223A	47"	1 Double Duplex Power Module, 1 Circuit 1, 2 Circuit 2 and IG receptacles, 1 cutout for telecom plate, black finish
84J47241234A	47"	2 Double Duplex Power Modules, 1 Circuit 1, 1 Circuit 2, 1 IG and 1 Circuit 4 receptacle, cutout for 1 telecom plate, black finish

Innovative Power + Data Solutions

ECA • 10 Mountain View Drive • Shelton, CT 06484 • Phone: 1-800-521-3175 • Fax: 203-924-6687

www.electri-cable.com